

# 100M Compact Industrial Media Converter



- 1~2 fast Ethernet ports, Auto-negotiation speed, auto Full/Half Duplex Mode, and auto MDI/MDI-X connection
- One 100BaseFX ports ( SC connector default, FC/ST connector Optional ), Maximum 120km distance
- Wide range voltage 12~48V DC power input
- Metal housing with IP40 protection, support high EMC level
- DIN-Rail Mounting and Wall Mounting supported
- Wide Operating Temperature (-40~85°C) to satisfy harsh industrial environment

## Product Overview

100M Industrial Media Converter is designed with IP40 metal housing and high level EMC protection, supports Auto-Negotiation speed, power input with wide range voltage, 1~2 10/100BaseT(X) RJ45 ports and one 100BaseFX fiber ports, and DIN35 rail or wall mounting for the different industrial circumstances. It can work in harsh -40~85°C environment to provide the reliability and flexibility for your industrial Ethernet solution.

## Features

- Support 802.3/802.3u, store-and-forward switching
- 1~2 10/100Base-T(X) RJ45 ports, support Auto-Negotiation speed (10M/100M ), auto Full Duplex/ Half Duplex mode, auto MDI/MDI-X connection
- One 100BaseFX Fiber ports (default SC port, FC/ST port optional), max distance to 120km
- Metal housing with IP40 and high level EMC protection
- Wide range power voltage with 12~48V DC input
- Work in -40~85°C wide temperature

## Specifications

### Technical Standard

- Protocol:IEEE802.3、IEEE802.3u

### Interface

- RJ45 port: 10/100BaseT(X) speed Auto-Negotiation, Full/Half Duplex mode, MDI/MDI-X connection
- Fiber port: 100BaseFX100M Full Duplex SC port (with FC/ST options ), max distance to 120km

### Switching Characteristic

- 10M Frame Forward Rate:14881pps
- 100M Frame Forward Rate:148810pps
- Forward Mode:store-and-forward
- Switching Bandwidth:800Mbps
- Cache Size:448Kbits
- MAC Address Table:1K

### Power Supply

- Input: Wide DC power input (12V/24V/48V) with 7.62mm industrial power terminal
- No-load power consumption: 1.92W@24VDC
- Full-load power Consumption:< 2.16W (@24VDC)

### Physical Characteristic

- Dimensions(W×H×D):32mm×103mm×83mm
- Weight:200g
- Housing: Metal, IP40 protection
- Installation: Wall mounting or DIN rail mounting

### Environment Limits

- Work Temp:-40°C~85°C
- Storage Temp:-40°C~85°C
- Relative Humidity:5%~95%(non-condensing)

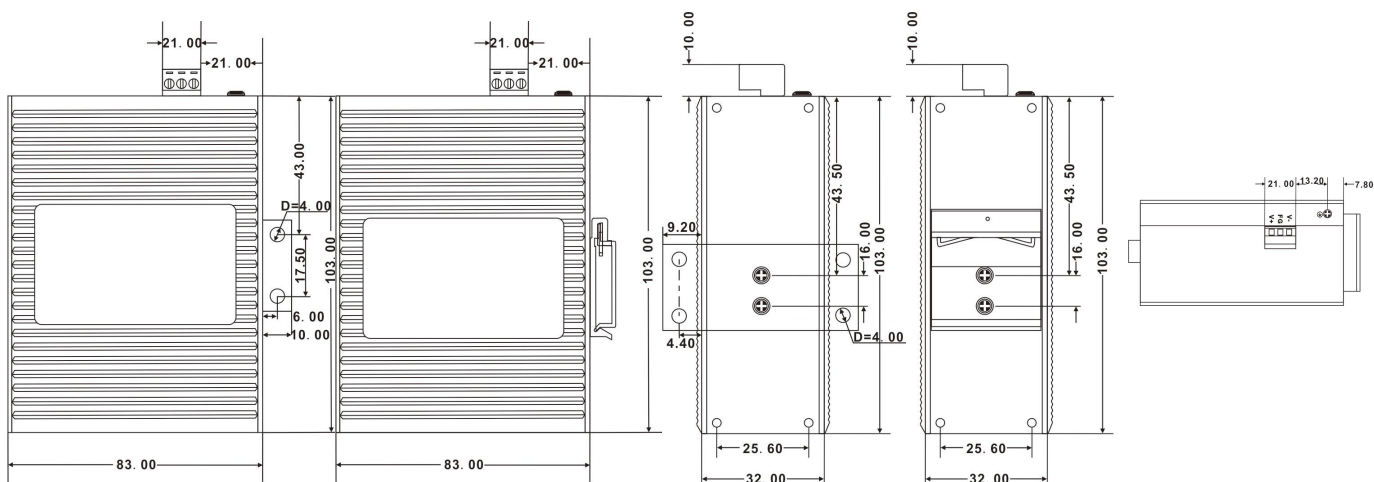
### Warranty

- Warranty Period: 5 years

## Standards and Certifications

- IEC61000-4-2(ESD):±6KV Contact, ±15KV Air
- IEC61000-4-3(RS):10V/M(80-1000MHZ)
- IEC61000-4-4(EFT):Power ±4KV, Data Cable ±2KV
- IEC61000-4-5(Surge):Power ±2KV CM/ ±1KV DM, Data Cable±4KV
- IEC61000-4-6(CS):3V (10KHZ-150KHZ), 10V (150KHZ-80MHZ)
- IEC61000-4-16(MS):30V COUNT 300V, 1S
- IEC60068-2-6(Vibration)
- IEC60068-2-27(Shock)
- IEC60068-2-32(Free Fall)
- IEC61000-6-2(General Industrial Standard)

## Dimensions(mm)



Wall-Mounting 1

DIN-Rail

Wall-Mounting 2

DIN-Rail

## LED 指示灯

LED	State	Description
PWR	OFF	Unconnected or faulty power supply
	ON	Power good
FX1	OFF	No fiber connection or fault
	ON	Fiber link normal
	Blinking	Fiber link normal and data is being transmitted.
Each RJ45 port has two LED lights, yellow light is unused and green light is port link status indicator.		
Green light	OFF	RJ45 port is not established valid network connection.
	ON	RJ45 port established valid network connection.
	Blinking	RJ45 port established valid network connection and data is being transmitted.

## Models

Model	Description
Ck1011	100M Compact Media Converter, 1*10/100Base-T(X) RJ45 port, 1*100Base-FX Fiber port(SM/MM), -40°C~85°C
Ck1021	100M Compact Media Converter, 2*10/100Base-T(X) RJ45 ports, 1*100Base-FX Fiber port(SM/MM), -40°C~85°C

## Package List

- 100M Compact Industrial Media Converter with industrial power terminal
- Product Manual
- Product Warranty
-